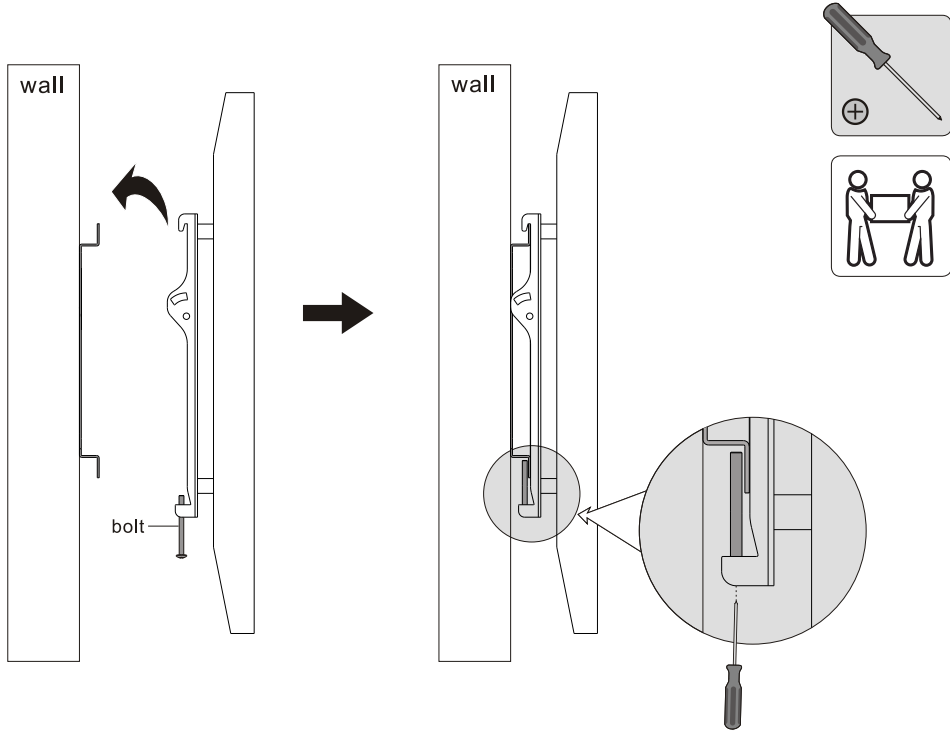


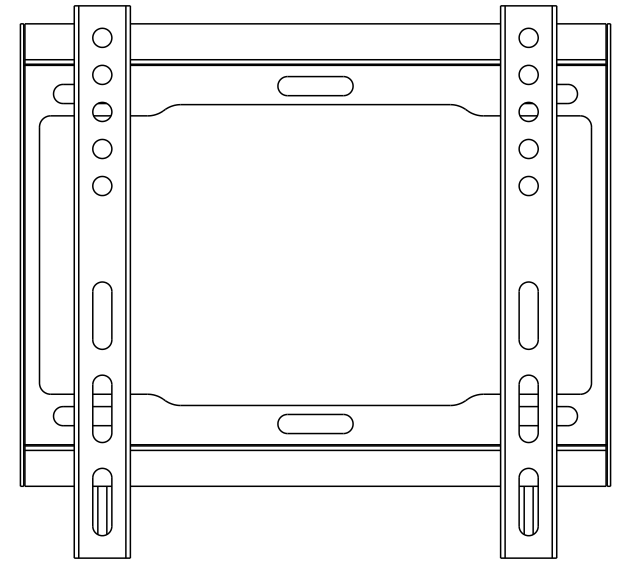
3. Hanging the TV onto the Wall Plate



Tighten the bottom bolts to secure the adapter brackets to the wall plate.

- Maintenance**
- Check that the bracket is secure and safe to use at regular intervals(at least every three months).
 - Please contact your dealer if you have any questions.

Fixed Wall Mount



CAUTION: DO NOT EXCEED RATED LISTED WEIGHT CAPACITY. SERIOUS INJURY OR PROPERTY DAMAGE MAY OCCUR!

Techni-Contact Canada Ltd
 H9R 1A3, T2C 5K5
www.TechniContact.com

BPL-20B		75x75 100x100 200x100 200x200		
			42" MAX	

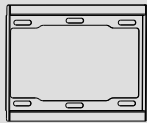
NOTE: Read the entire instruction manual before you start installation and assembly.

⚠ WARNING

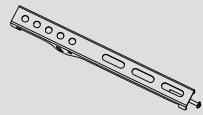
- This mounting bracket was designed to be installed and utilised **ONLY** as specified in this manual. Improper installation of this product may cause damage or serious injury.
- This product should only be installed by someone with good mechanical ability who has basic building experience and fully understands this manual.
- Make sure that the supporting surface will safely support the combined weight of the equipment and all attached hardware and components.
- Always use an assistant or mechanical lifting equipment to safely lift and position the equipment.
- Tighten screws firmly, but do not over tighten. Over tightening can cause damage to the items, This greatly reduces their holding power.
- This product is intended for indoor use only. Using this product outdoors could lead to product failure and personal injury.

Component Checklist

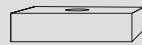
IMPORTANT: Ensure that you have received all parts according to the component checklist prior to installation. If any parts are missing or faulty, telephone your local distributor for a replacement.



wall plate (x1)
A



adapter bracket (x2)
B



bubble level (x1)
C

Package M



M6x30 (x4)
M-A



M8x30 (x4)
M-B



D8 washer (x4)
M-C



big spacer (x4)
M-D

Package W



ST6.3x55 (x4)
W-A

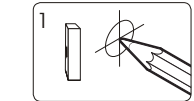
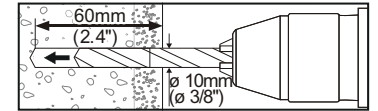
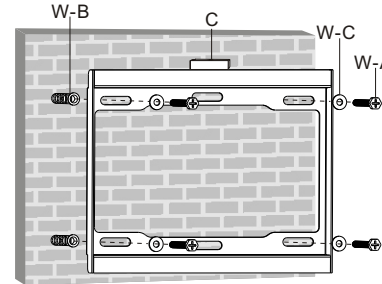
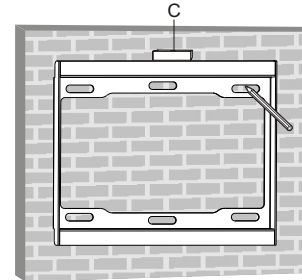


concrete anchor (x4)
W-B

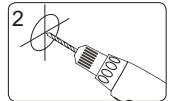


D6 washer (x4)
W-C

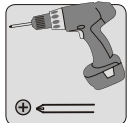
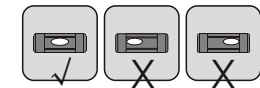
1. Solid Brick and Concrete Mounting



1
Mark the exact location of mounting holes



2
Drill pilot holes

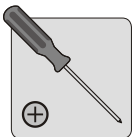
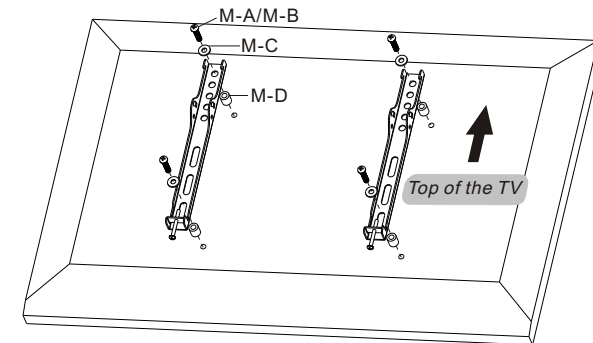


Screw the wall plate onto the wall

⚠ WARNING

Installers must verify that the supporting surface will safely support the combined weight of the equipment and all attached hardware and components.

2. Installing the Adapter Brackets



Note: Choose the appropriate screws, washers and spacers (if necessary) according to the type of screen.

- Position the adapter brackets as close as possible to the center of the TV.
- Screw the adapter brackets onto the TV.

⚠ Tighten all screws but do not over tighten.